

22 815 892



- 235mm projection
- pivotable spout 360°
- air-enriched flow
- height of mixer 378 mm
- height up to aerator 220 mm
- hole diameter 35 mm
- 2 x pressure hose with 3/8" cap nut
- max. flow 5.7 l/min at 3 bar flow pressure
- lead-free
- This product can help a building meet the requirements of Green Building Rating Systems, e.g. LEED®, BREEAM®, DGNB

Not possible in combination with rinsing spray.

	Chrome	22 815 892-00 0010
	Brushed Platinum	22 815 892-06 0010
	Platinum	22 815 892-08 0010
	Durabrand (23kt Gold)	22 815 892-09 0010
	Dark Chrome	22 815 892-19 0010
	Brushed Durabrand (23kt Gold)	22 815 892-28 0010
	Matte Black	22 815 892-33 0010
	Brushed Champagne (22kt Gold)	22 815 892-46 0010
	Champagne (22kt Gold)	22 815 892-47 0010
	Brushed Chrome	22 815 892-93 0010
	Brushed Dark Platinum	22 815 892-99 0010

**Recommended miscellaneous**

**AIR SWITCH Control button - Chrome** 10 713 970-00

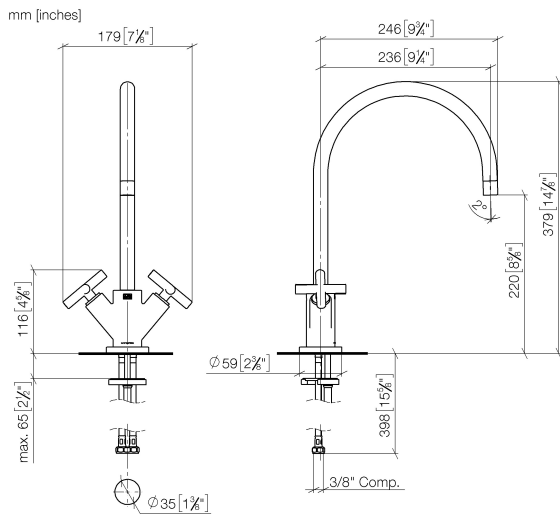


**Recommended miscellaneous**

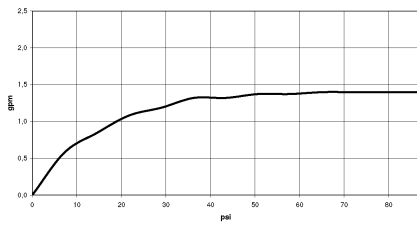
**Dispenser with rosette - Chrome** 82 444 970-00



22 815 892



Flow rate chart



Codes & Standards

ADA

ASME  
A112.18.1/CSA  
B125.1

California Energy  
Commission  
(CEC)

NSF/ANSI 372

NSF/ANSI/CAN  
61



## TARA Single-hole mixer - Chrome

---

TARA

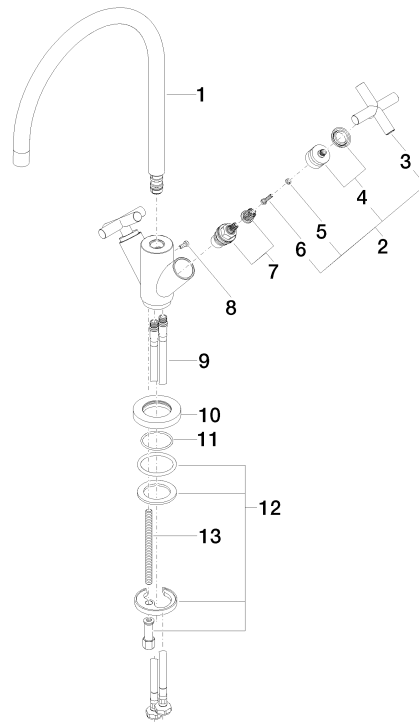
22 815 892

### Certificates

---

IAPMO\_N-4976.    IAPMO\_4976 (6).    IAPMO\_6397.

22 815 892



### Spare parts list

No.	Item Number	Name	Quantity used	Delivery time
1	90 28 22 226 02-00	spout	1	10
2	90 20 89 010 10-00	handle	2	10
3	09 20 89 010-00	handle	2	60
4	90 12 12 007 00-00	base	2	10
5	90 30 11 029 00 90	disc	2	2
6	90 30 30 075 00 90	screw	2	2
7	90 90 03 151 00 90	top	2	2
8	09 30 30 054 90	screw	1	2
9	04 30 04 106 00 90	hose	2	2
10	09 28 10 132-00	ring	1	10
11	09 14 10 134 90	seal	1	2
12	04 30 11 038 00 90	fixing set	1	2
13	09 31 11 012 90	pin	1	2